

FL25YKM

LPG Forklift Truck



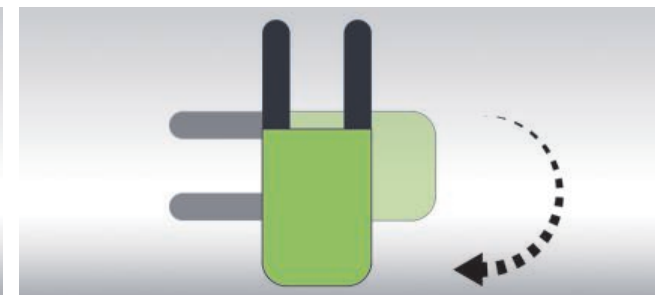
ZOOMLION ANHUI INDUSTRIAL VEHICLE CO.,LTD
 Building 2,NO.1 Nanwei Road,High-tech Development Zone,Wuhu,Anhui,China
 TEL: 400-8875860
www.zoomlionfl.com
en.zoomlion.com



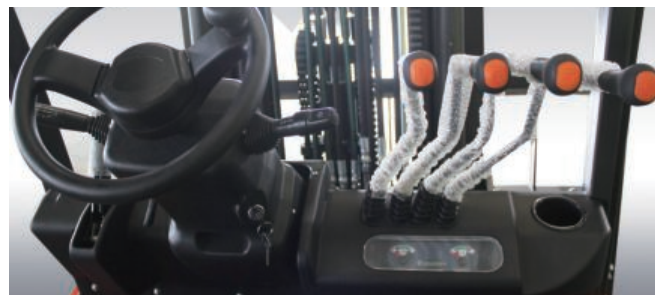
Electric Forklift



PSI engine certified by EPA



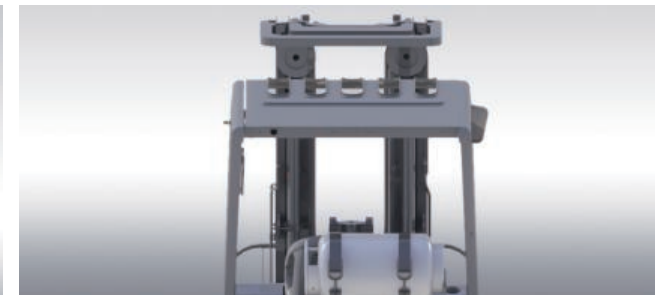
Very small wheelbase size layout, small turning radius, especially suitable for narrow channel warehouse use



The instrument panel is fully sealed by covering parts, which is in accordance with the requirements of European and American markets



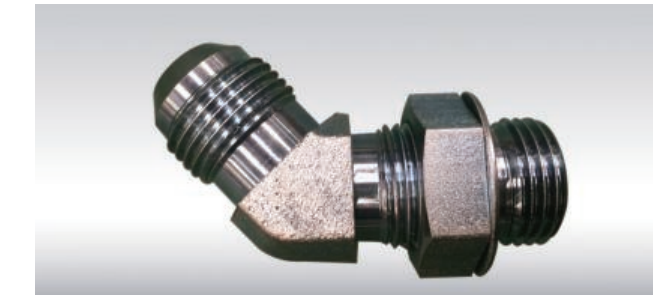
High-grade folding seats and seat belts as standard configurations



Mast with rear chain layout, operating vision more open



Rotary cylinder bracket, easy to use and safe and reliable



United States standard pipeline in the forklift, meeting the localization requirements



Mid exhaust pipe set, effectively avoiding the problems caused by low exhaust dust problems



Standard reverse horn handrails, fuel tank lid locking device, pressure-type solid tire, LED lamps.

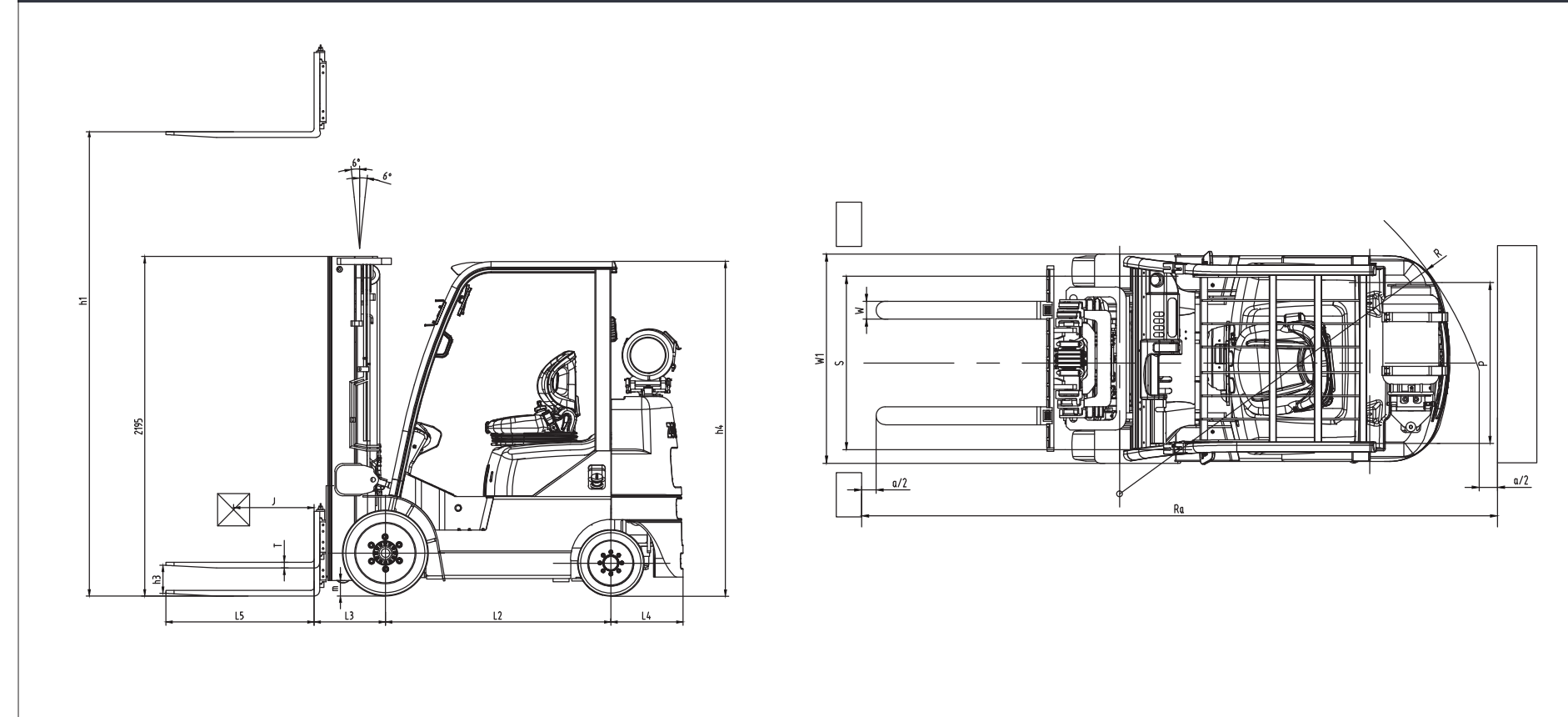
Machine Parameters

Characteristics		FL25YKM		FL25YKM
Power form	—	LPG	—	LPG
Rated capacity	kg	2500	lb	5511.56
Load center distance	J(mm)	600	J(in)	23.62
Maximum lifting height (three mast)	h1(mm)	4800	h1(in)	188.98
Free lift height	h3(mm)	1186	h3(in)	46.69
Fork size L x W x D thick	L5xW xT(mm)	1220x122x40	L5xW xT(in)	48x4.8x1.57
Mast tilt front / rear	°	6/6	°	6/6
Minimum turning radius	R1(mm)	2115	R1(in)	83.27
Minimum channel width	Ra(mm)	2515	Ra(in)	99.02
Minimum ground clearance (gantry)	m(mm)	85	m(in)	3.35
Height of overhead guard	h4(mm)	2075	h4(in)	81.69
Front overhang	L3(mm)	449	L3(in)	17.68
Rear overhang	L4(mm)	450	L4(in)	17.72
Performance				
Maximum travel speed (full load)	km/h	18	mph	11
Maximum lifting speed (full load / no load)	mm/s	470/520	in/s	19/20
Maximum traction / full climbing capacity	kN/%	18/20	kN/%	18/20
Size				
Full Length (With Fork)	L1(mm)	3515	L1(in)	138.39
Full width	W1(mm)	1170	W1(in)	46.06
Mast height	h2(mm)	2195	h2(in)	86.42
Maximum height during operation	mm	5839	in	229.88
Chassis				
Tire (front wheel)	—	217x15	—	217x15
Tires (rear wheels)	—	16x6x11	—	16x6x11
Wheelbase	L2(mm)	1400	L2(in)	55.12
Tread (front / rear)	S/P(mm)	970/900	S/P(in)	38.18/35.43
Deadweight (no load)	kg	3810	lb	8399.61
Drive				
Battery (voltage / capacity)	V/Ah	12/90	V/Ah	12/90
engine model	—	PS12.4	—	PS12.4
rated power	kw/r.p.m	47.1/2800	kw/r.p.m	47.1/2800
Maximum torque	N-m/r.p.m	168/1600	N-m/r.p.m	168/1600
Number of cylinders	—	4	—	4
Bore x stroke	mm	86.5x100	in	3.4x3.94
Displacement	cc	2350	cc	2350
Fuel tank capacity	L	60	L	60
Transmission / gear / front and rear	—	1/1	—	1/1
Working pressure	MPa	17.5	MPa	17.5

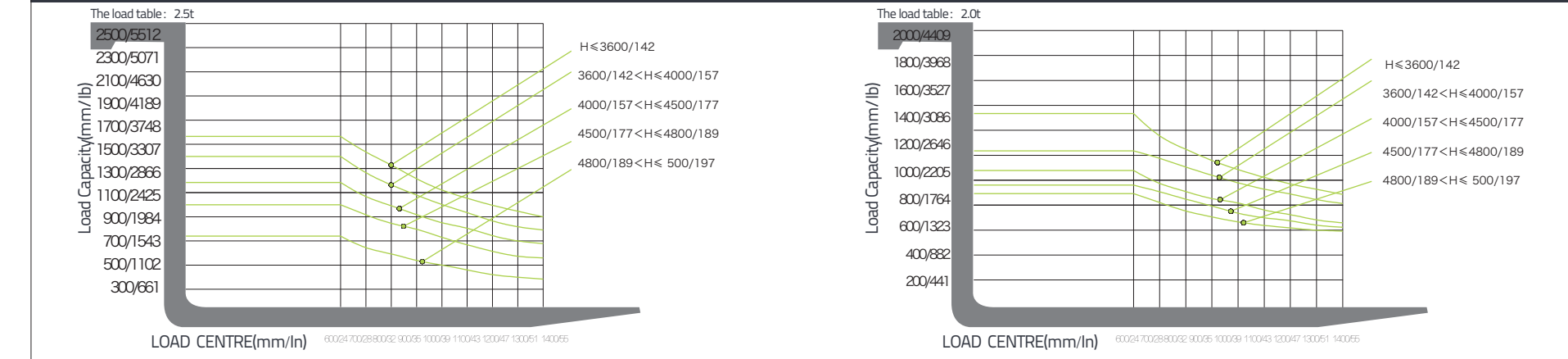
S3s-stage full free mast

Lifting height mm/in	Coading capacity		Floor height mm/in	Free lifting height		Maximum lifting height		Masttilt Angle f/r °
	2T(kg/lb)	2.5T(kg/lb)		Forks landing(mm/in)	Height with Backrest(mm/in)	Forks landing(mm/in)	Height with Backrest(mm/in)	
3600/142	1270/2800	1580/3483	1795/71	786/31	1136/45	4639/183	4239/169	6/6
4000/157	1090/2403	1400/3086	1930/76	921/36	1271/50	5039/198	4689/185	6/6
4200/165	1000/2205	1260/2778	1995/79	986/39	1336/53	5089/200	4739/187	6/6
4350/171	950/2094	1220/2690	2045/81	1036/41	1386/55	5389/212	5039/198	6/6
4500/177	860/1896	1180/2601	2095/82	1086/43	1436/57	5539/218	5189/204	6/6
4800/189	770/1698	1000/2205	2195/86	1186/47	1536/60	5839/230	5489/216	6/6
5000/197	680/1499	720/1587	2260/89	1251/49	1601/63	6039/238	5689/224	3/6
5500/217	550/1213	590/1301	2425/95	1416/56	1766/70	6539/257	6189/244	3/6
6000/236	400/882	450/992	2645/104	1636/64	1986/78	7039/277	6689/263	3/6

Machine 2D graph



CAPACITY CHART



Standard Equipment

- Wideview mast
- Standard fork
- Folding seat
- Backrest
- Reversing light
- Reversing buzzer
- Raevview mirror
- light switch
- Overhead guard
- Electric horn
- Two multi valve
- Engine flameout device
- Timer
- Tilt cylinder dust cover
- Parking brake type cable type
- Lifting tilt control handle
- Lifting circuit speed limiting valve
- Traction pin
- Illumination
- Adjustable steering Wheel
- Tilt oil circuit self-locking
- Full hydraulic power steering,
- Upper intake device,
- Handle
- Water temperatura meter
- Toolbox
- Rubber pad
- Cyclone air filter
- Combination instrument
- Hydraulic oil return filter element
- Hydraulic oil suction filter element
- Hydraulic oil scale
- Hydraulic pressure alarm
- Key switch,
- Brake
- Indicator light
- Solid tyre

Options

- Front windshield
- Two (three) stage full free mast
- Senior seat
- High exhaust device
- Cab
- Heaters
- Black smoke purification muffler
- Fire extinguisher muffler
- Double air filter intake air device
- Rotation warning light
- Small fan
- Color specified by user,
- preheater
- fire extinguisher

Attachment

- Carpet boom
- Hook
- Lifting boom
- Hinged fork
- Paper roll clamp
- Barrel clamp
- Extended fork
- Extended Lift Bracket
- Load stabilizer
- Fork cover
- Revolving Flat Clamps
- Wide view duplex/triplex full free mast
- Side shifter